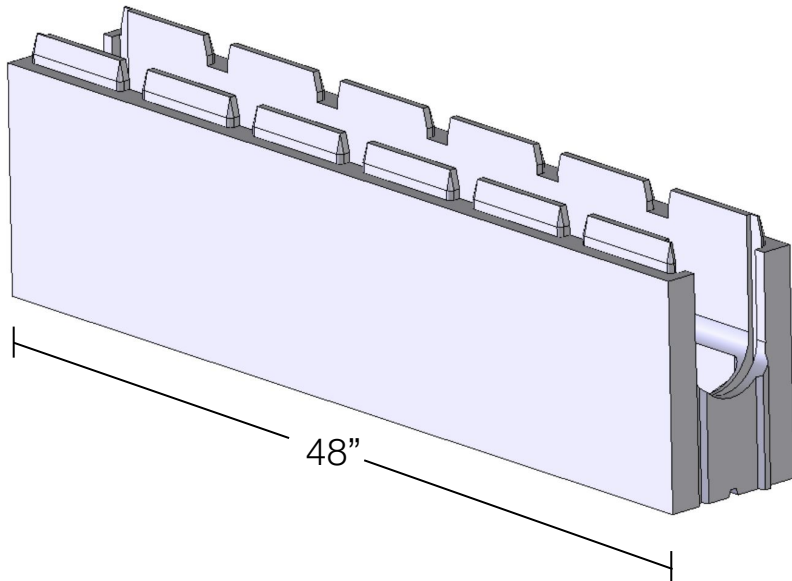
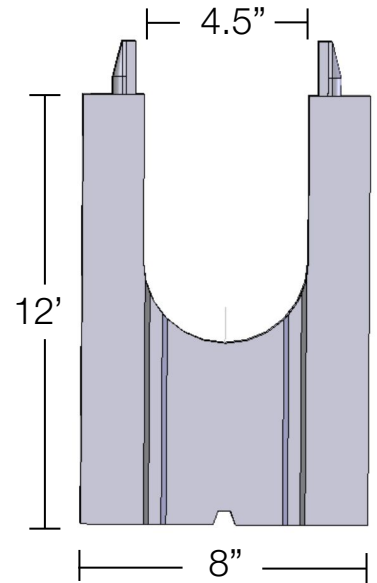


8"



48"



12"

4.5"

8"



FastBlocs.com

FASTBLOC LINTEL BLOCK 8 INCH

DATE/REV	18/03/07
----------	----------

CONSTRUCTION SHALL BE IN ACCORDANCE WITH ALL APPLICABLE LOCAL AND NATIONAL CODES. ALL DRAWINGS ARE FOR EXAMPLE PURPOSES AND ARE TO BE USED AS A REFERENCE GUIDE ONLY.